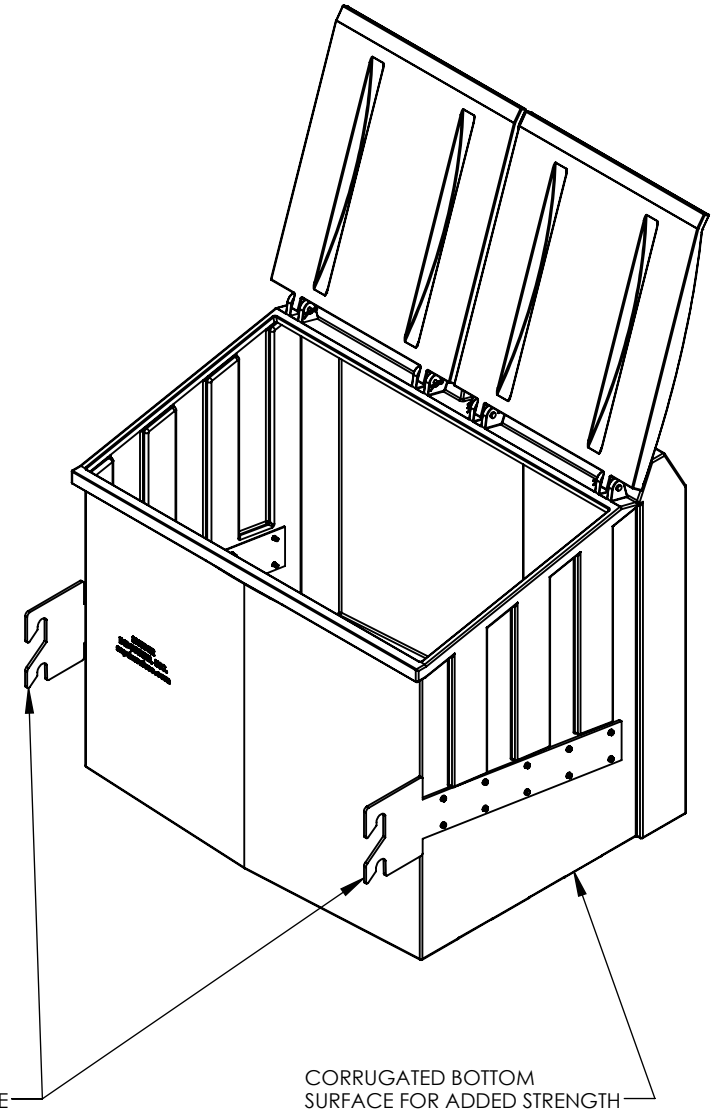
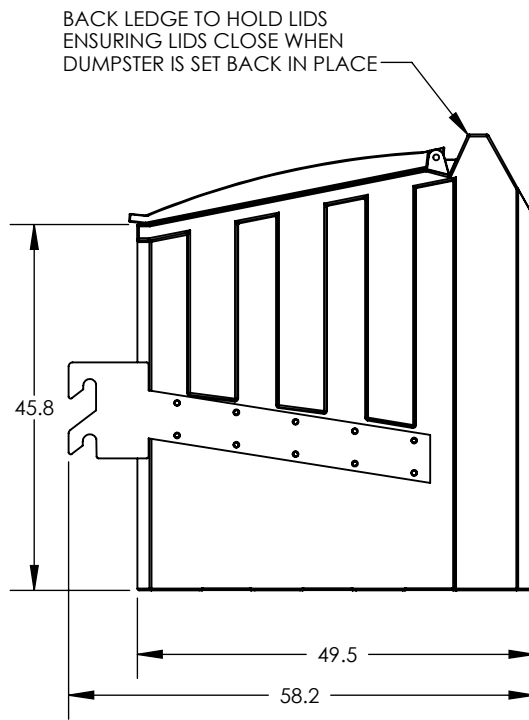
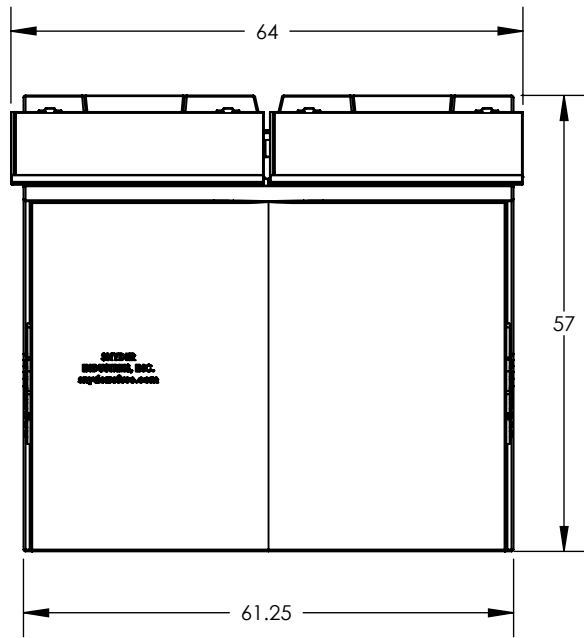


MATERIAL	HDPE
BIN WEIGHT (LBS.)	150
FULL ASSEMBLY WEIGHT (LBS.)	255
WEIGHT CAPACITY (LBS.)	1000
VOLUME (CUBIC FEET)	3
VOLUME (GALLONS)	600
NOMINAL THICKNESS (IN)	0.260
SHIPPING TRUCKLOAD QUANTITY	30
PREDRILLED HOLES	20



ALL DIMENSIONS ARE IN INCHES, NOMINAL, & SUBJECT TO CHANGE WITHOUT NOTICE.  
 ALL DIMENSIONS ON ROTATIONAL MOLDED PARTS ARE SUBJECT TO A ± 3% TOLERANCE.

DO NOT SCALE		DRAWN BY		TITLE:	REVISION
STATUS:	Released	TS		POLY SIDE LOAD BIN 3 CY TEETH TYPE ARMS	A
© SNYDER INDUSTRIES INC., 2015			(402) 467-5221 www.snydernet.com	PART NO.	ENG. ID.
<small>ALL DIMENSIONS, DESIGNS, AND INFORMATION ON THIS PRINT MUST BE CONSIDERED PROPRIETARY TO SNYDER INDUSTRIES, INC. AND MAY NOT BE USED, COPIED, OR DISTRIBUTED WITHOUT WRITTEN PERMISSION OF AN OFFICER (OR HIS AGENT) OF THE FIRM.</small>				7800000E	A002455
					SHEET 1 OF 1