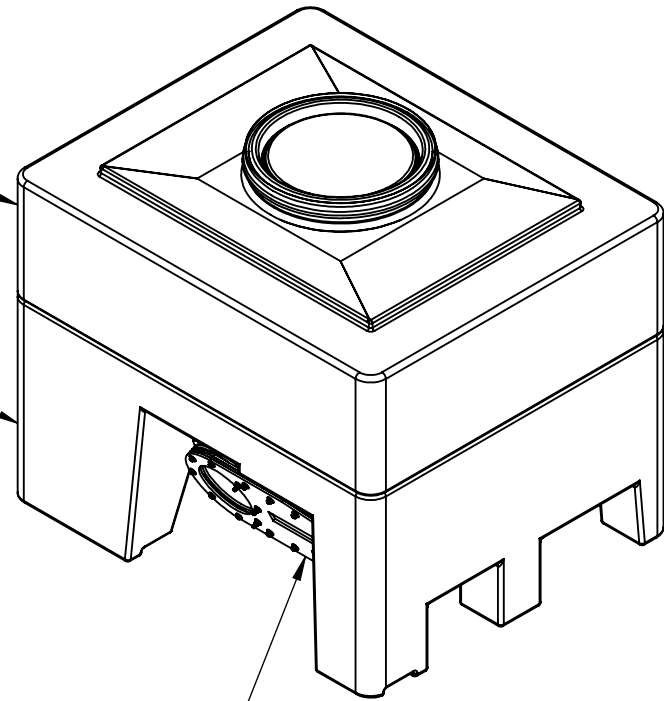


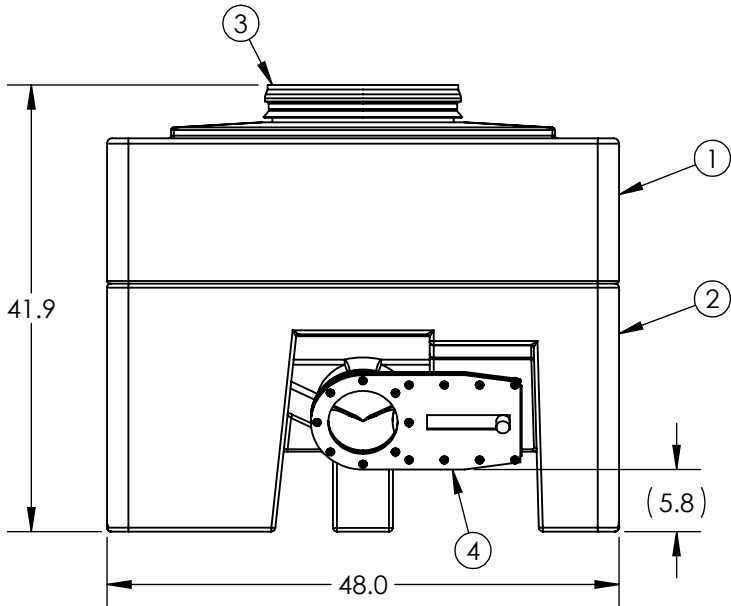
BIN ONLY
DRAWING

BASE ONLY
DRAWING



SLIDEGATE OPTIONS:

STANDARD SLIDEGATE - [34701851](#)
IRIS VALVE - [34702197](#)



4	1	34701851	6" SLIDE GATE 8089, 8091, 8092
3	1	34100411	COVER PP MANHOLE W/GASKET/STRAP
2	1	6392000M__01	BASE 20CF 8089 HPR
1	1	6375500M__01	HPR 20CF 8089

ITEM NO.	QTY.	PART NUMBER	DESCRIPTION	
DO NOT SCALE		DRAWN BY	TITLE:	
STATUS: Released		TS	 ASM HPR 8089 SIDE DSCRG SLGT	
© SNYDER INDUSTRIES INC., 2015		1005 Atlantic Drive West Chicago, IL 60185 (630)293-0303 www.bonarplastics.com		REVISION
		PART NO.	ENG. ID.	A
		6375500M	A002449	SHEET 1 OF 1

ALL DIMENSIONS ARE IN INCHES, NOMINAL, & SUBJECT TO CHANGE WITHOUT NOTICE.
ALL DIMENSIONS ON ROTATIONAL MOLDED PARTS ARE SUBJECT TO A \pm 3% TOLERANCE.

ALL DIMENSIONS, DESIGNS, AND INFORMATION ON THIS PRINT MUST BE CONSIDERED PROPRIETARY TO SNYDER INDUSTRIES, INC. AND MAY NOT BE USED, COPIED, OR DISTRIBUTED WITHOUT WRITTEN PERMISSION OF AN OFFICER (OR HIS AGENT) OF THE FIRM.