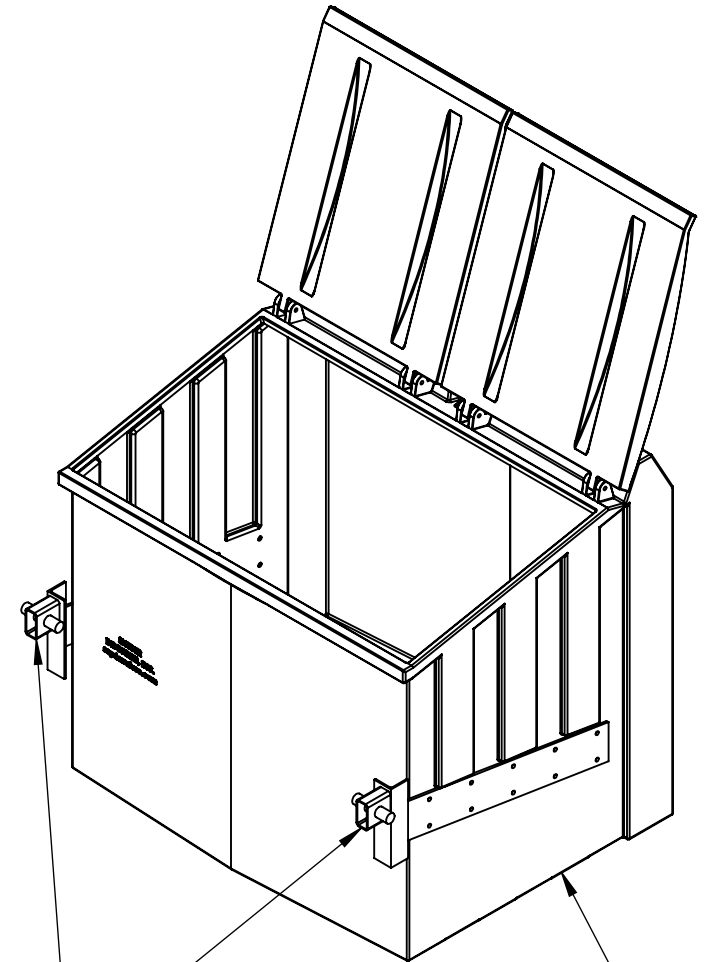
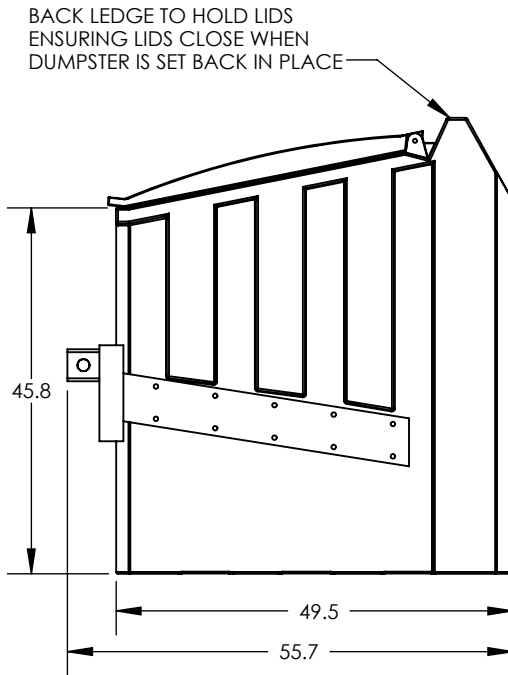
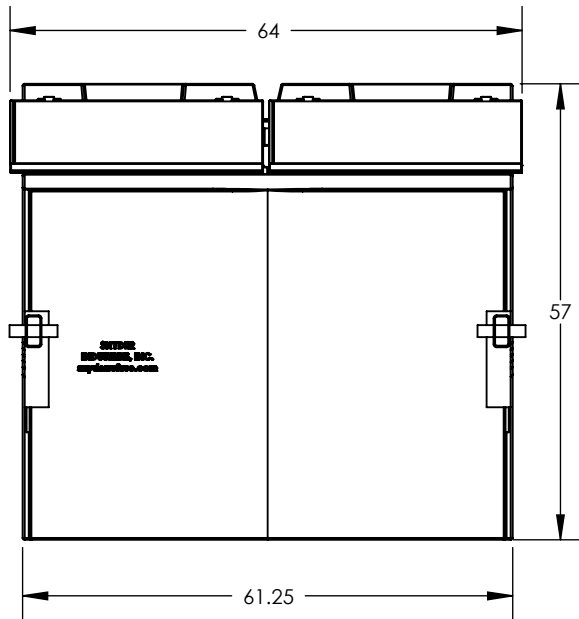


MATERIAL	HDPE
BIN WEIGHT (LBS.)	150
FULL ASSEMBLY WEIGHT (LBS.)	260
WEIGHT CAPACITY (LBS.)	1000
VOLUME (CUBIC FEET)	3
VOLUME (GALLONS)	600
NOMINAL THICKNESS (IN)	0.260
SHIPPING TRUCKLOAD QUANTITY	30
PREDRILLED HOLES	20



PEG STYLE DUMPSTER ARMS
CONSTRUCTED FROM 3/8" THICK STEEL,
BOLTED IN TEN PLACES ON EACH SIDE

CORRUGATED BOTTOM SURFACE
FOR ADDED STRENGTH

ALL DIMENSIONS ARE IN INCHES, NOMINAL, & SUBJECT TO CHANGE WITHOUT NOTICE.
ALL DIMENSIONS ON ROTATIONAL MOLDED PARTS ARE SUBJECT TO A ± 3% TOLERANCE.

DO NOT SCALE		DRAWN BY		TITLE:	REVISION
STATUS:	Released	TS		POLY SIDE LOAD BIN 3 CY PEG TYPE ARMS	A
© SNYDER INDUSTRIES INC., 2015				PART NO.	SHEET
ALL DIMENSIONS, DESIGNS, AND INFORMATION ON THIS PRINT MUST BE CONSIDERED PROPRIETARY TO SNYDER INDUSTRIES, INC. AND MAY NOT BE USED, COPIED, OR DISTRIBUTED WITHOUT WRITTEN PERMISSION OF AN OFFICER (OR HIS AGENT) OF THE FIRM.				7800000E	1 OF 1
www.snydernet.com				ENG. ID.	A002439

(402) 467-5221
www.snydernet.com