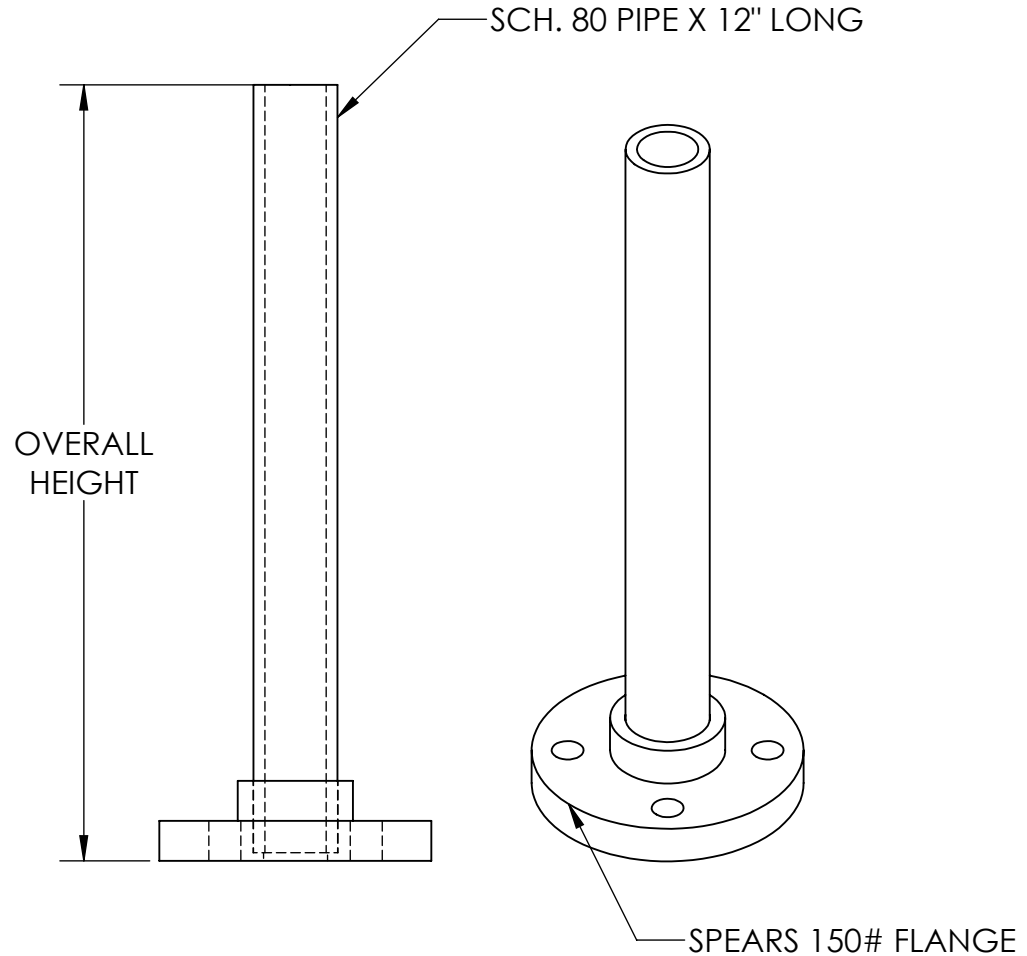


FLANGE SIZE	OVERALL HEIGHT	ASM PART NUMBER	
		ASM MATERIAL	
		PVC	CPVC
1"	12-1/8"	34700860	34700925
1-1/2"	12-1/8"	34701301	34701525
2"	12-3/16"	34700861	34700926
3"	12-7/16"	34700862	34700927
4"	12-1/4"	34700863	34700928
6"	12-1/4"	34700864	34700929
8"	12-1/4"	34700865	34700930



*BASE FITTINGS TO BE LEFT INSTALLED AT TIME OF SHIPMENT PER SII PROCEDURE.
 *Consult Snyder's Guidelines for Use and Installation prior to delivery.
 Available on-line at www.snydernet.com/industrial_tanks_snyder.htm

ALL DIMENSIONS ARE IN INCHES, NOMINAL, & SUBJECT TO CHANGE WITHOUT NOTICE.
 ALL DIMENSIONS ON ROTATIONAL MOLDED PARTS ARE SUBJECT TO A ± 3% TOLERANCE.

DO NOT SCALE	DRAWN BY	DATE		TITLE:	REVISION
STATUS: Released	SB	12/05/2013		ASM ADAPTER FLANGE SCH 80	A
© SNYDER INDUSTRIES INC., 2013			4700 Fremont Street Lincoln, NE 68504 (402) 467-5221 www.snydernet.com	PART NO.	ENG. ID.
ALL DIMENSIONS, DESIGNS, AND INFORMATION ON THIS PRINT MUST BE CONSIDERED PROPRIETARY TO SNYDER INDUSTRIES, INC. AND MAY NOT BE USED, COPIED, OR DISTRIBUTED WITHOUT WRITTEN PERMISSION OF AN OFFICER (OR HIS AGENT) OF THE FIRM.					A001400