

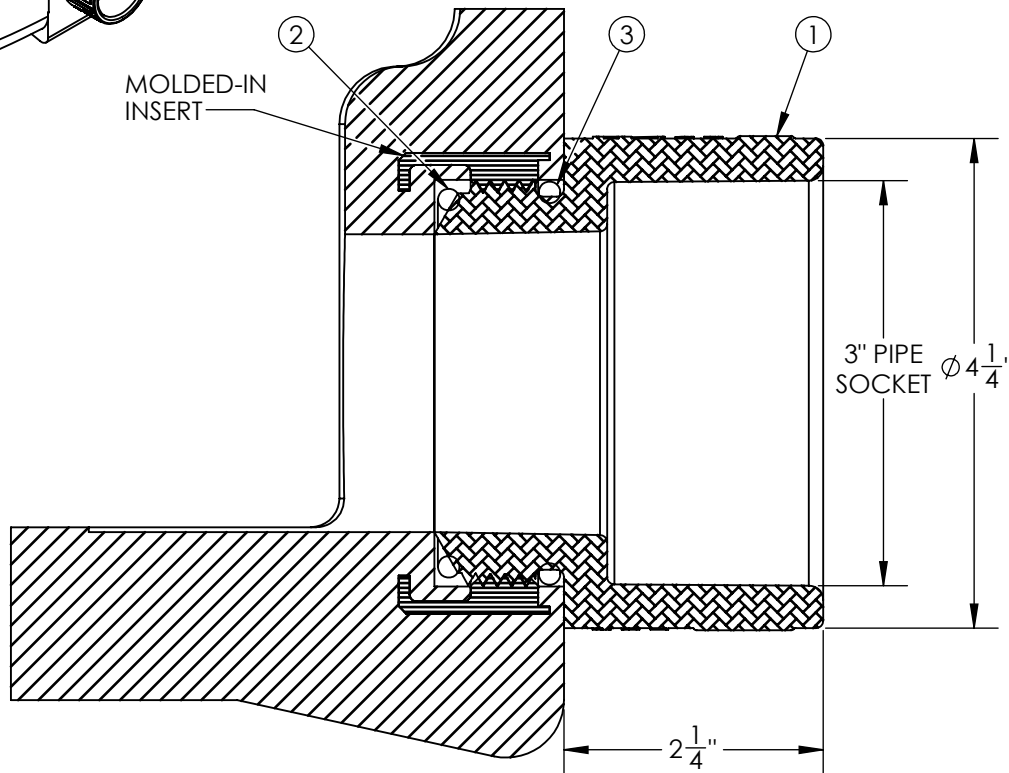
ASSEMBLY PART NO.			34700299	34700786	34700727	34700782
INSERT MATERIAL			316 SS		HASTELLOY	TITANIUM
#	QTY.	DESCRIPTION	VITON	EPDM	VITON	VITON
1	1	3" PVC SUMO ADAPTER	35900376	35900376	35900376	35900376
		**OR CPVC SUMO ADAPTER	35900511	35900511	35900511	35900511
2	1	O-RING, STYLE 337 (3/16")	33100112	33100173	33100112	33100112
3	1	O-RING, STYLE 338 (3/16")	33100113	33100174	33100113	33100113

**SHIPPING NOTES:**

- SUMO SHIPPING STABILIZER SHOULD BE INSTALLED PRIOR TO MOVING CONTAINER WITH SUMO FITTING.
- NEVER MOVE CONTAINER WITH PVC FITTING INSTALLED UNLESS APPROVED BY SII ENGINEERING.


**INSTALLATION NOTES:**

- ONCE TANK IS PLACED ON SITE, REMOVE SHIPPING STABILIZER.
- CLEAN THREADS & O-RING SEATS.
- INSTALL SMALLER O-RING INSIDE SUMO MOLDED-IN FITTING.
- CAREFULLY STRETCH LARGER O-RING ENOUGH TO INSTALL IT INTO THE O-RING GROOVE ON THE ADAPTER.
- O-RING MAY BE LUBRICATED WITH SUITABLE LUBRICANT (ex. WATER)
- SCREW ADAPTER IN UNTIL THE STEP IN THE ADAPTER IS FLUSH WITH THE TANK WALL. DO NOT OVER-TORQUE (25 FT-LBS OF TORQUE MAX.)
- ONCE SUMO ADAPTER IS INSTALLED, PIPING OR OTHER FITTINGS MAY BE CONNECTED TO THE ADAPTER. A UNION OR BOLTED FITTING WITH SUITABLE FLEXIBLE CONNECTION SHOULD BE INSTALLED AS CLOSE TO THE TANK AS POSSIBLE TO ALLOW FOR FUTURE DISASSEMBLY.



**\*ALL EXTERNAL PIPING MUST BE INDEPENDENTLY SUPPORTED.**  
**\*ONLY BASE FITTINGS TO BE LEFT INSTALLED AT TIME OF SHIPMENT PER SII PROCEDURE.**  
**\*TANKS ORDERED WITH FOAM INSULATION WILL HAVE AN INCREASED DIAMETER OF 4-6 INCHES.**  
**\*Consult Snyder's Guidelines for Use and Installation prior to delivery.**  
 Available on-line at <http://www.snyderindustriestanks.com/Technical>

**ALL DIMENSIONS ARE IN INCHES, NOMINAL, & SUBJECT TO CHANGE WITHOUT NOTICE.**  
**ALL DIMENSIONS ON ROTATIONAL MOLDED PARTS ARE SUBJECT TO A ± 3% TOLERANCE.**

DO NOT SCALE		DRAWN BY	TITLE:		REVISION
STATUS: <b>Released</b>		IGG	<b>INSTRUCTIONS 3IN SUMO</b>		<b>A</b>
© TANK HOLDING, CORP, 2022		 A BRAND OF TANK HOLDING CORP.		SHEET	
<small>ALL DIMENSIONS, DESIGNS, AND INFORMATION ON THIS PRINT MUST BE CONSIDERED PROPRIETARY TO TANK HOLDING, CORP. AND MAY NOT BE USED, COPIED, OR DISTRIBUTED WITHOUT WRITTEN PERMISSION OF AN OFFICER (OR HIS AGENT) OF THE FIRM.</small>		(402) 467-5221 <a href="http://www.snyder.net">www.snyder.net</a>		1 OF 1	
PART NO.			ENG. ID.		
<b>99800051</b>			<b>99800051</b>		