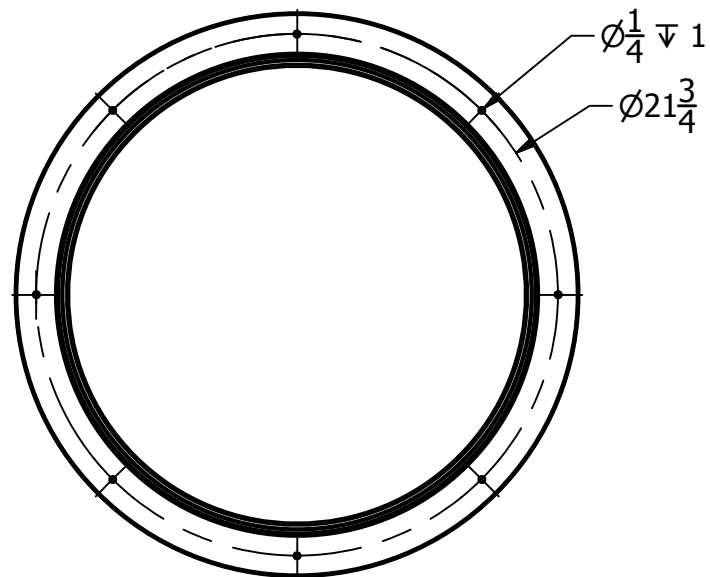



SECTION A-A  
SCALE 1 / 8

DETAIL B  
SCALE 1 / 2



|                      |           |   |              |     |
|----------------------|-----------|---|--------------|-----|
| DRAWN<br>Todd Bolzer | 3/29/2012 |  |              |     |
| CHECKED              |           |   |              |     |
| QA                   |           | TITLE   |              |     |
| MFG                  |           | 6 INCH LP MAN HOLE EXTENSION  |              |     |
| APPROVED             |           | SIZE  | DWG NO       | REV |
|                      |           | B   | 63832        | A   |
|                      |           | SCALE: 1/16   | SHEET 1 OF 1 |     |