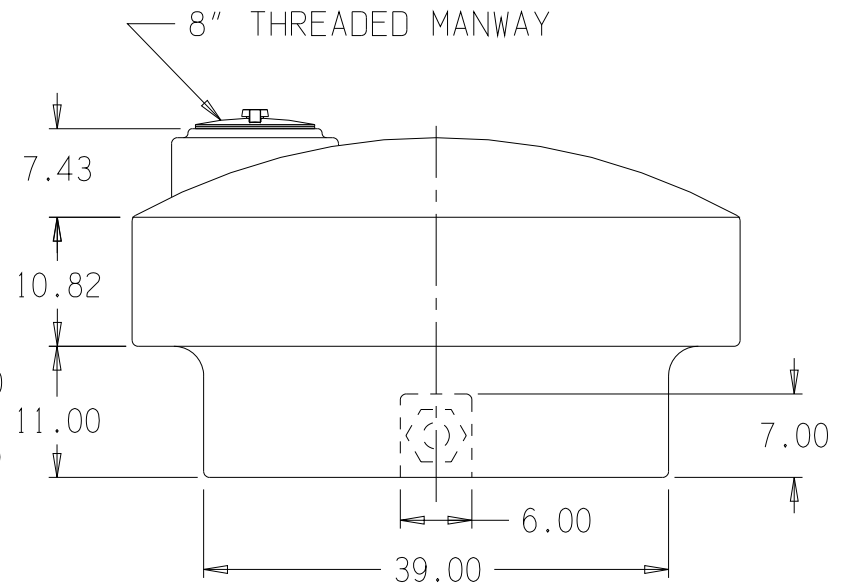


2" PP THREADED BULKHEAD FITTING



(all dimensions in inches)

BASE FITTINGS TO BE LEFT INSTALLED AT TIME OF SHIPMENT PER SII PROCEDURE

PART # TANK: 40300

210 GALLON UTILITY (PICK UP) WATER TANK

REF#: 0000

02/03/11